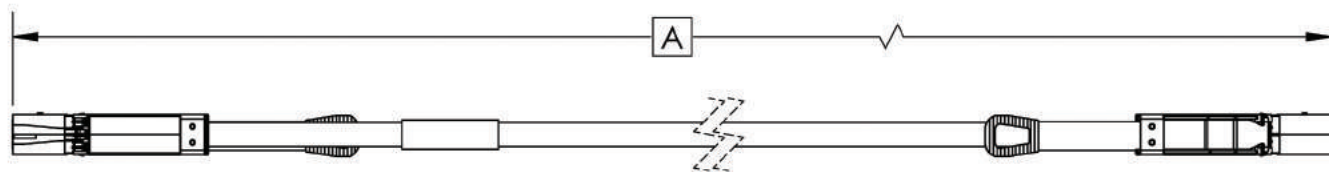


ACTION	INI	NAME	DATE	REVISIONS		
DRAWN		STEVEN.Li	04/28/16	REV.	DESCRIPTION	DATE
CHECKED		M.DERKS	02/20/17	C	RELEASE	04/28/16
APPROVED		M.DERKS	02/20/17	D	RESISTOR	08/19/16
				E	MEMORY MAP	12/27/16
				F	NEW EE-PROM	02/20/17



P1



P1

P2

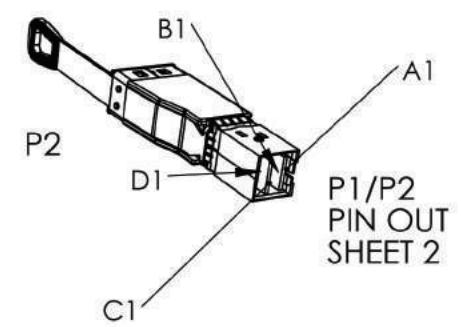


TABLE 1

ITEM NUMBER	"A" O/C LENGTH (mm)	LABEL A
01	1000, +/-30	PCI-4444S-1M-S2- REV F, SC, YYWW, BARCODE, CE

NOTES:

1. CABLE IS 9 SHIELDED 30 AWG PAIRS (100 OHM). MADISON.
2. 8GBIT DATA RATE MAX. COMPLIANT WITH PCIE EXTERNAL CABLING REV 3.0 V6
3. BARCODE WILL CONTAIN SHOP ORDER NUMBER AND SERIAL OF CABLE.
4. BAG LABEL WILL CONTAIN PART NUMBER, REV, MADE IN MEXICO, AND Qty.

UNLESS OTHERWISE SPECIFIED, DIMENSIONS ARE IN mm. TOLERANCES: X. ± 1. $\angle \pm 1^\circ$



FINISH: 63

TITLE: PCIES CABLE ASSEMBLY

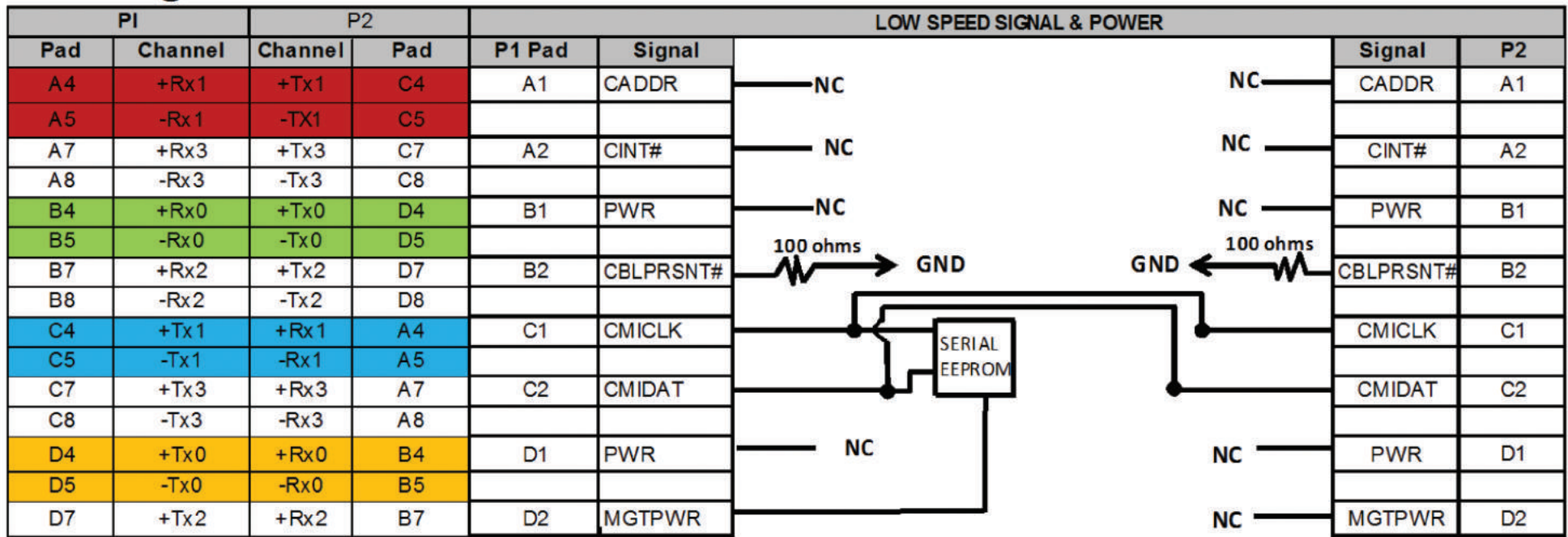
FSCM NO.

SIZE A

DWG NO. PCI-4444S-1M-S2

Signal Lanes

Control PADS



CASE GND ——— CASE GND

GND GROUP 1:
P1 - A3, A6, A9, B3, B6, B9, P2 - C3, C6, C9, D3, D6, D9

GND GROUP 2:
P1 - C3, C6, C9, D3, D6, D9, P2 - A3, A6, A9, B3, B6, B9

Connector Shell ——— Connector Shell

UNLESS OTHERWISE SPECIFIED,
DIMENSIONS ARE IN INCHES.
TOLERANCES: .XXX ± .003
 .XX ± .01
 < ± 1°
REMOVE ALL BURRS. FILLET
R.005 MAX.
FINISH: 63



TITLE: PCIES CABLE ASSEMBLY

SIZE A DWG NO. PCI-4444S-1M-S2

	1		2		3		4		5		6					
0	0F	00	04	00	00	00	00	00	00	00	00	00	00	00	00	00
1	00	00	00	00	00	00	00	00	00	00	00	00	00	00	00	00
2	00	00	00	00	00	00	00	00	00	00	00	00	00	00	00	00
3	00	00	00	00	00	00	00	00	00	00	00	00	00	00	00	00
4	00	00	00	00	00	00	00	00	00	00	00	00	00	00	00	00
5	00	00	00	00	00	00	00	00	00	00	00	00	00	00	00	00
6	00	00	00	00	00	00	00	00	00	00	00	00	00	00	00	00
7	02	00	00	00	00	00	00	00	00	00	00	00	00	00	00	00
8	0F	00	00	00	00	00	00	00	00	00	00	00	00	00	00	00
9	00	00	01	A0	53	43	20	20	20	20	20	20	20	20	20	20
A	20	20	20	20	00	00	00	00	50	43	49	2D	34	34	34	34
B	53	2D	31	4D	2D	53	32	20	46	20	@2.5G	@5.0G	@8.0G	@16G	46	chk01
C	00	00	00	00							vendor	SN				
D							data	code			20	20	00	00	00	chk02
E	00	00	00	00	00	00	00	00	00	00	00	00	00	00	00	00
F	00	00	00	00	00	00	00	00	00	00	00	00	00	00	00	00

SUM of 80-BE
SUM of C0-DE

- Length: 01 = 1 meter
- vendor name: SC
- vendor PN: PCI-4444S-1M-S2
- chk01: low order 8 bits of the sum of the contents of all the bytes from byte 80h to byte BEh, inclusive
- vendor SN: 16 bytes ASC II characters, left aligned and padded on the right with ASC II spaces (20h)
- date code: 6 bytes ASCII characters, in the format of YYMMDD.
- chk02: low order 8 bits of the sum of the contents of all the bytes from byte C0h to byte DEh, inclusive
- attenuation: 0xh=xxdB at 2.5GHz, 0xh=xxdB at 5.0GHz, 0xh=xxdB at 8.0GHz, 0xh=xxdB at 16GHz

LOCATION 108-109= PROPAGATION DELAY

LOCATION 11= DATARATE=8.0GT/s so

LOCATION 112= number of lanes=4

LOCATION 147=cable type =unequalized copper

LOCATION 186-189=attenuation values

UNLESS OTHERWISE SPECIFIED,
DIMENSIONS ARE IN INCHES.
TOLERANCES: .XXX ± .003
.XX ± .01
± 1°
REMOVE ALL BURRS. FILLET
R.005 MAX.
FINISH: 63



TITLE: PCIES CABLE ASSEMBLY

SIZE A

DWG NO. PCI-4444S-1M-S2