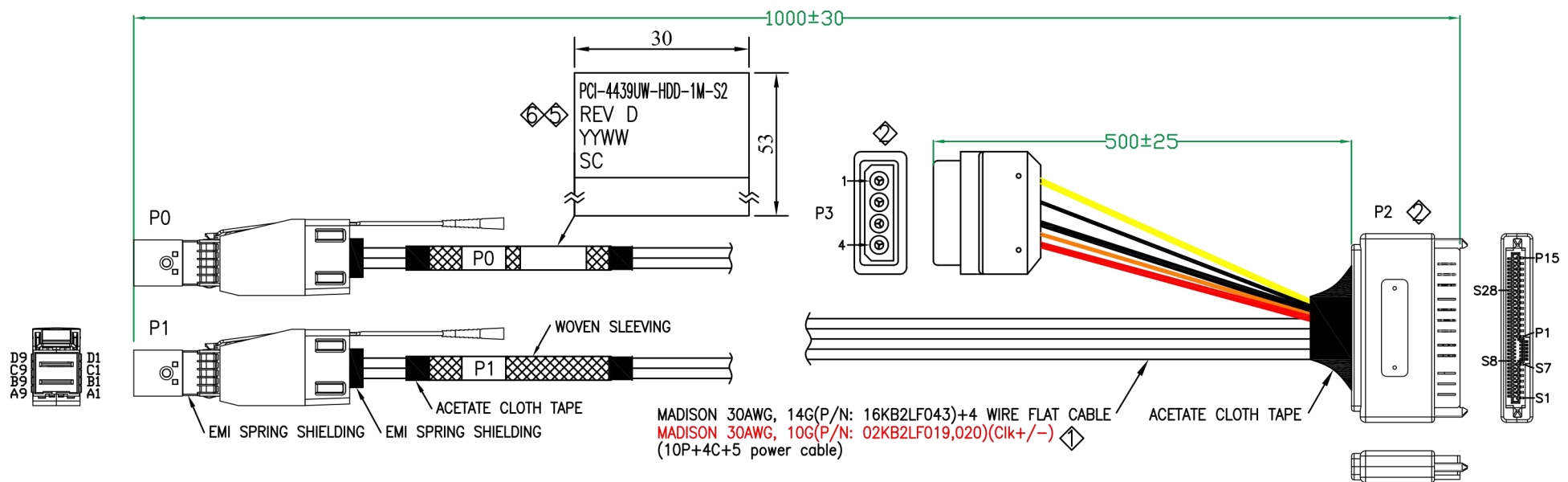


REV.	REMARK	DATE	SIGN.
◇	REVISE CABLE	04/11/'16	Sino
◇	CHANGE CONNECTOR, REVISE CABLE&POWER SINGAL, Add POWER CABLE	04/19/'16	Sino
◇	REVISE SIGNAL	08/29/'16	Sino
◇	REVISE S24,S23 SIGNAL	09/09/'16	Sino
◇	A1 AND A2 EXCHANGE, REVISE P3 PCB P/N&REV C	06/22/'17	Sino
◇	REVISE P0,P1 PIN OUT & LABEL REV D	02/01/'18	Sino

RoHS

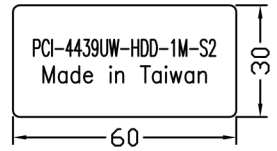


MATERIAL RoHS COMPLIANT:

- ◇ 1.CABLE: MADISON 30AWG, 14G(P/N: 16KB2LF043)
 CONDUCTOR: 30AWG SOLID SILVER PLATED COPPER.
 INSULATION: FOAM POLYOLEFIN.
 PAIR: 2 SINGLES LAID FLAT AND PARALLEL.
 PAIR DRAIN WIRE: 30AWG SOLID SILVER PLATED COPPER.
 PAIR SHIELD: ALUMINUM/POLYESTER TAPE,
 ALUMINUM SIDE FACING IN, 25% OVERLAP.
 INNER SHIELD: ALUMINUM/POLYESTER TAPE,
 ALUMINUM SIDE FACING OUT, 25% OVERLAP.
 DIFFERENTIAL IMPEDANCE: 100±5 OHMS @TDR
 UL LISTING: TYPE CL2 AS SPECIFIED IN ARTICLE 725
 OF THE NATIONAL ELECTRICAL CODE.
- ◇ 2.CABLE: MADISON 30AWG, 10G(P/N: 02KB2LF019,20)

- 3.CONNECTOR:
 P0,P1: Mini SAS HD 4x CABLE PLUG (SFF-8644)
 (1) P.C.B: 4 LAYERS, GOLD PLATING ON CONTACT PADS, WITHOUT CARBON
 (P/N: MPCB-060003LF REV.B / MPCB-060004LF REV.B)
 (2) LATCH: STAINLESS STEEL
 (3) BACKSHELL: ZINC DIE CASTING HOOD/ NICKEL PLATING
 (4) PULL TAB: NYLON UL94V-0, COLOR: BLUE.
 (5) EMI SPRING SHIELDING
- ◇ P2: SFF-8639 68P CONNECTOR
 (1) P.C.B: 4 LAYERS, GOLD PLATING ON CONTACT PADS.(SPCB-040152D)
 (2) HOUSING: ABS, BLACK.
 (3) WITHOUT EARS NOR SCREWS.

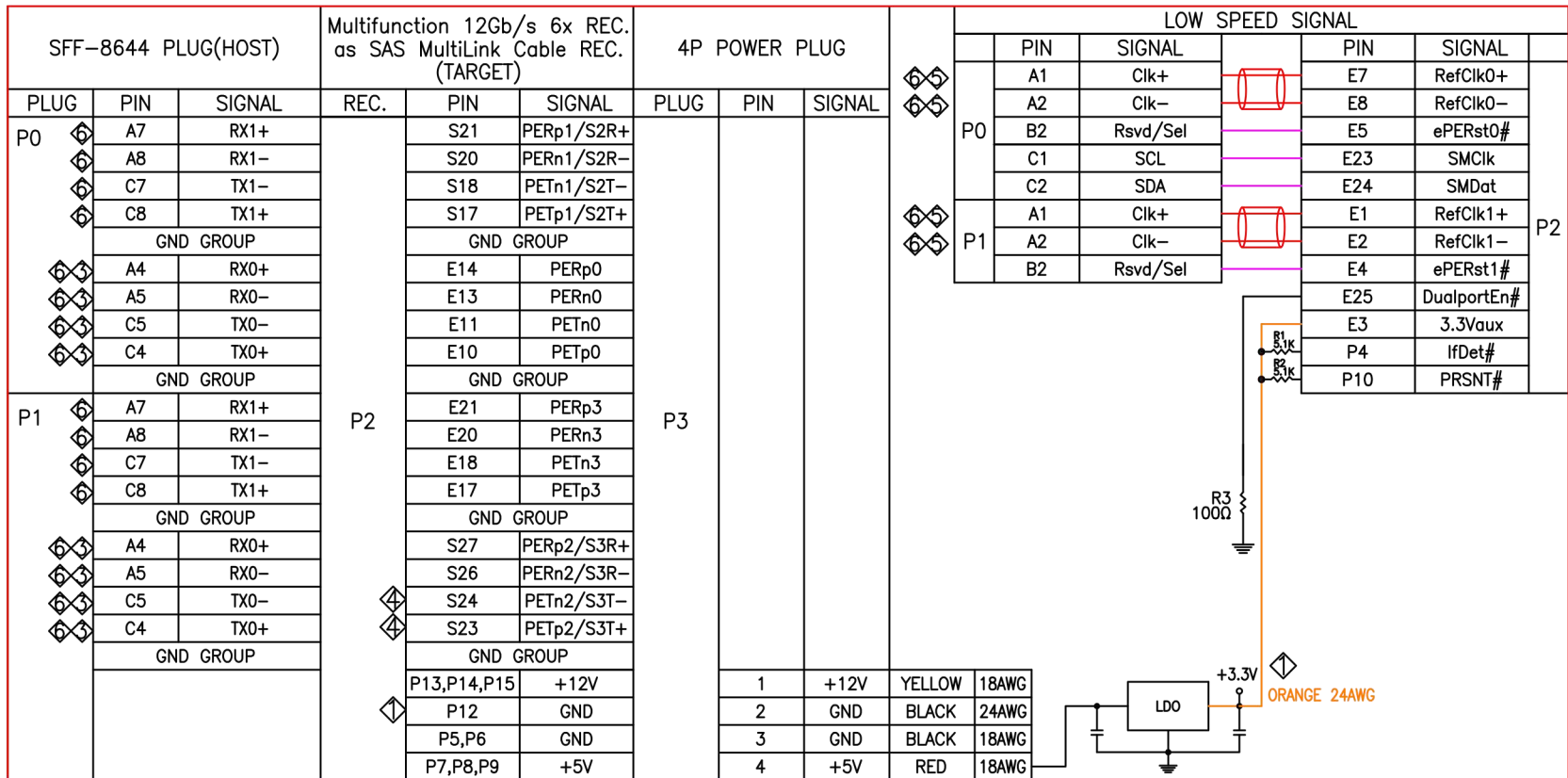
- 3.CONNECTOR:
 P3: 4 POSITION DC POWER PLUG
 (1) P.C.B: SPCB-020054A
 (2) POWER CABLE: UL 1007 18AWG*3 80°C 300V
 (3) POWER CABLE: UL 1007 24AWG*2 80°C 300V
- 4.LABELING ON BAG:



DESC.	SFF8644*2 TO SFF8639 REC. WITH POWER CABLE ASS'Y	APPROVED	CHECKED	DESIGNED	TOLERANCE	SCALE	*	UNIT	mm	
P/N	B-5396	CUSTOMER P/N	PCI-4439UW-HDD-1M-S2	Sino	DATE	02/01/'18	DWG NO:	DWG\B\5396		

REV.	REMARK	DATE	SIGN.
◇	REVISE CABLE	04/11/'16	Sino
◇	CHANGE CONNECTOR, REVISE CABLE&POWER SINGAL, Add POWER CABLE	04/19/'16	Sino
◇	REVISE SIGNAL	08/29/'16	Sino
◇	REVISE S24,S23 SIGNAL	09/09/'16	Sino
◇	A1 AND A2 EXCHANGE, REVISE P3 PCB P/N&REV C	06/22/'17	Sino
◇	REVISE P0,P1 PIN OUT & LABEL REV D	02/01/'18	Sino

WIRING DIAGRAM



P0,P1 GND GROUP:
A3,A6,A9,B3,B6,B9,
C3,C6,C9,D3,D6,D9.

P2 GND GROUP:
E9,E12,E15,E19,E22,S1,S4,S7
S8,S11,S14,S16,S19,S22,S25,S28

*客製化接點



DESC.	SFF8644*2 TO SFF8639 REC. WITH POWER CABLE ASS'Y	APPROVED	CHECKED	DESIGNED	TOLERANCE	SCALE	*	UNIT	mm	
P/N	B-5396	CUSTOMER P/N	PCI-4439UW-HDD-1M-S2	Sino	DATE	02/01/'18	DWG NO:	DWG\B\5396		