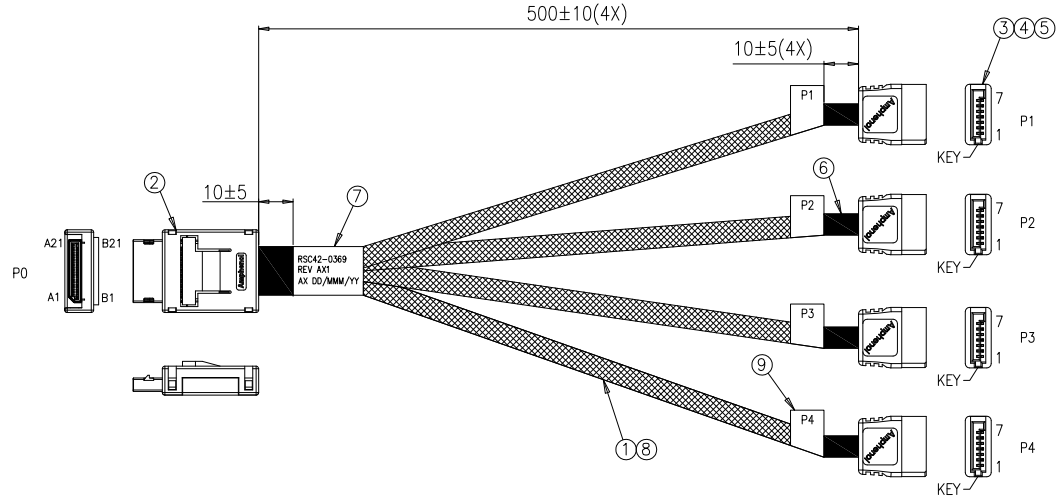


The marking on this product doesn't contain environmental hazardous materials per directive 2011/65/EU for RoHS compliance.

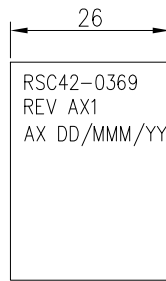
REVISIONS						
ECN NO.	REV.	DESCRIPTIONS	CHECKED	APPROVED	DATE	
	REV.	AX1	INITIAL RELEASE	KOCHI	ALEX	11/01/2016

- NOTE:
 1. THE CABLE ASSEMBLY SHALL BE MEET RoHS2.0 COMPLIANT.
 该产品通过RoHS2.0认证。
 2. THE CABLE ASSEMBLY SHALL MEET BELOW IMPEDANCE REQUIREMENT:
 TERMINATION AREA: 85±15% OHMS, CABLE ABSOLUTE AREA: 85±10% OHMS.
 该产品满足下面阻抗特性: 接触区域85±15% 欧姆, 线材为85±10% 欧姆。
 3. ELECTRICAL AND MECHANICAL PERFORMANCE SHALL MEET Oculink SPECIFICATION REV 1.0.
 电气性能满足Oculink 1.0版本的规范。



P0							
GND	B5		S7	GND	P1		
RX0+	B3		S6	TP+			
RX0-	B4		S5	TP-			
GND	B2		S4	GND			
TX0-	A4		S3	RP-			
TX0+	A3		S2	RP+			
GND	A2		S1	GND			
GND	B8		S7	GND	P2		
RX1+	B6		S6	TP+			
RX1-	B7		S5	TP-			
GND	A8		S4	GND			
TX1-	A7		S3	RP-			
TX1+	A6		S2	RP+			
GND	A5		S1	GND			
GND	B17		S7	GND	P3		
RX2+	B15		S6	TP+			
RX2-	B16		S5	TP-			
GND	B14		S4	GND			
TX2-	A16		S3	RP-			
TX2+	A15		S2	RP+			
GND	A14		S1	GND			
GND	B20		S7	GND	P4		
RX3+	B18		S6	TP+			
RX3-	B19		S5	TP-			
GND	A20		S4	GND			
TX3-	A19		S3	RP-			
TX3+	A18		S2	RP+			
GND	A17		S1	GND			

WIRE TABLE



LABEL DETAIL

9	RMLSB11301	LABEL:SyntheticPaper,11*30MM,WHT	4
8	HMTBD03001	EXPANDO TUB:3.0MM,BLK,SINGLE(OD2~6MM),HF	A/R
7	HMLSB57262	LABEL:57*26MM,BLANK,WHT,R2,HF	1
6	HMMTP00129	ACETATE CLOTH TAPE,10MM,BLK,HF	A/R
5	RMRPV45101	PVC,45P,V1,BLACK	A/R
4	HMRPE45NT1	PE:LOW DENSITY,CLEAR	A/R
3	(R)G16A31001M	SATA CONN:7P,F,STR,Au 15u"	4
2	OCL42-0003	MiniLink,42POS,CONNECTOR, STR WITH ACTIVE LATCH	1
1	RWSS320006	SAS CBL:32#2C+2D+AM+HM,000.65*1.56,BLUE,850HM,R2	A/R
ITEM	P/N	DESCRIPTION	QTY

This drawing is the property of Serial Cables and is delivered on the express condition that it is not to be disclosed, reproduced or used, in whole or in part, for manufacture or sale by anyone other than Serial Cables without its prior consent, and that no right is granted to disclose or use any information in this drawing.

GENERAL TOLERANCES			
.X:	± 0.5	DRAWN:	DATE:
.XX:	± 0.3	HARVEY HUANG	11/01/2016
.XXX:	± 0.01	CHECKED:	DATE:
ANGULAR:	± 1'	KOCHI HU	11/01/2016
		APPROVED:	DATE:
		ALEX CHOW	11/01/2016



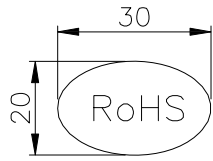
TITLE: SC P/N:RSC42-0369 OCULINK 4X STR TO 4X SATA 7P		
DWG. No.: RML42-0369		
SCALE: NONE	SHEET 1 OF 2	
UNIT: MM	SIZE: A4	REV.: AX1

The marking on this product doesn't contain environmental hazardous materials per directive 2011/65/EU for RoHS compliance.

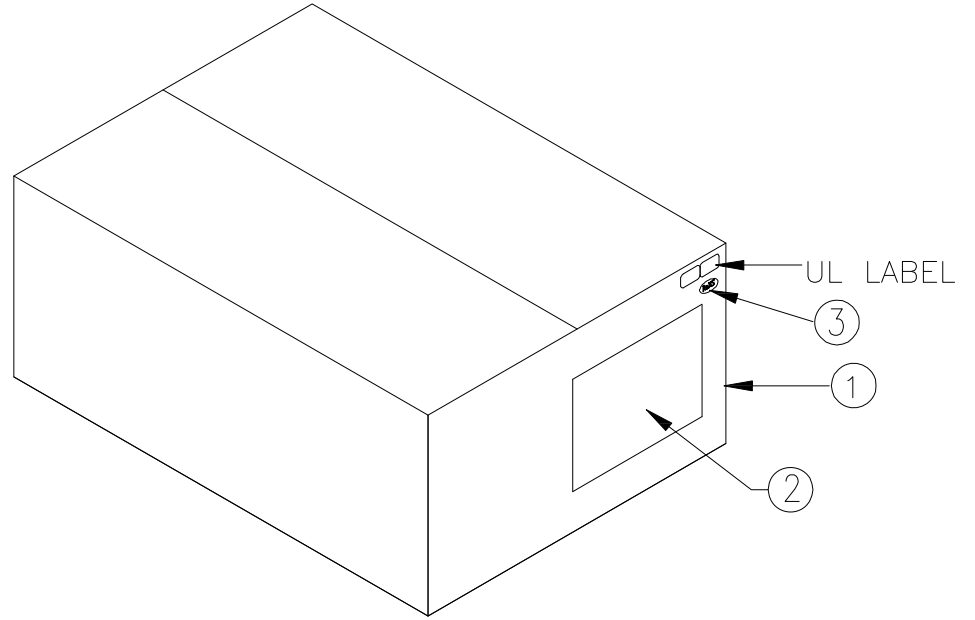
REVISIONS					
ECN NO.	REV.	DESCRIPTIONS	CHECKED	APPROVED	DATE
REL.					

LABEL 2

PN: RSC42-0369/RML42-0369



LABEL 3



3	RMLSW30201	RoHS LABEL:30*20MM, LABEL5 INFO	1
2	RMLSB00401	LABEL3:100*40MM,WHT,BLANK,R2	1
1	RMBCTN0019	CARTON:590*240*200MM E TYPE	1
ITEM	PART NUMBER	DESCRIPTION	Q'TY

GENERAL TOLERANCES

.X:	± 0.5	DRAWN: HARVEY HUANG		DATE: 11/01/2016
.XX:	± 0.3	CHECKED: KOCHI HU		DATE: 11/01/2016
.XXX:	± 0.01	APPROVED: ALEX CHOW		DATE: 11/01/2016
ANGULAR:	± 1'			

This drawing is the property of Serial Cables and is delivered on the express condition that it is not to be disclosed, reproduced or used, in whole or in part, for manufacture or sale by anyone other than Serial Cables without its prior consent, and that no right is granted to disclose or use any information in this drawing.



TITLE:		
SC P/N:RSC42-0369 OCULINK 4X STR TO 4X SATA 7P		
DWG. No.: RML42-0369		
	SCALE: NONE	SHEET 2 OF 2
UNIT: MM	SIZE: A4	REV.: AX1